

**NOTES:**

1. MATERIAL OF CONSTRUCTION IS 304 SS BRUSHED TO A #4 FINISH.
2. MOUNTS MVI KEYCOM FLUSH MOUNT.



PEDESTALPRO.COM  
1-800-660-3072

UNLESS OTHERWISE SPECIFIED:

DIMENSIONS ARE IN INCHES  
TOLERANCES:  
FRACTIONAL:  $\pm 1/32$   
ANGULAR:  $\pm 2^\circ$   
TWO PLACE DECIMAL:  $\pm 0.010$   
THREE PLACE DECIMAL:  $\pm 0.005$

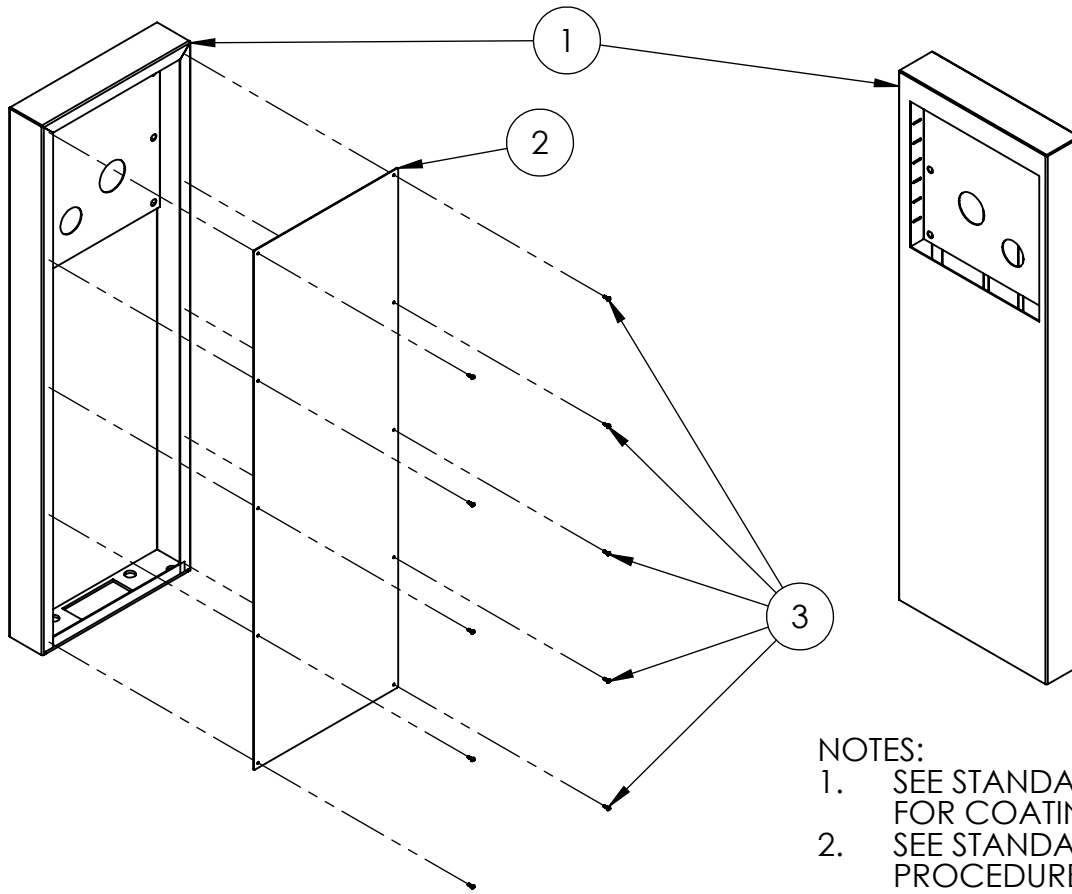
INTERPRET GEOMETRIC  
TOLERANCING PER:  
ASME Y14.5 -2009

NAME	DATE
DRAWN	
CHECKED	

**PROPRIETARY AND CONFIDENTIAL**  
THE INFORMATION CONTAINED IN THIS DRAWING IS THE SOLE PROPERTY OF PEDESTALPRO LLC. ANY REPRODUCTION IN PART OR AS A WHOLE WITHOUT THE WRITTEN PERMISSION OF PEDESTALPRO LLC IS PROHIBITED.

TITLE: <b>INSTALLATION</b>		SIZE <b>A</b>	PART NO. 184TOW-MVI-002-304	REV <b>A</b>
Wednesday, October 31, 2018 10:52:18 AM		NO SCALE		SHEET 1 OF 9
WEIGHT:				

ITEM NO.	PART NUMBER	DESCRIPTION	QTY.
1	MX-SS-21S MAIN BODY	304SS TOWER WELDMENT	1
2	MX-SS-21S ACCESS DOOR	304SS ACCESS DOOR	1
3	--	8-32 SS BUTTON HEAD SCREW	10



- NOTES:
- SEE STANDARD PREPARATION AND COATING INSTRUCTIONS FOR COATING PROCEDURE AND COLOR.
  - SEE STANDARD PACKAGING INSTRUCTIONS FOR PACKAGING PROCEDURE.



PEDESTALPRO.COM  
1-800-660-3072

UNLESS OTHERWISE SPECIFIED:

DIMENSIONS ARE IN INCHES  
TOLERANCES:  
FRACTIONAL  $\pm 1/32$   
ANGULAR:  $\pm 2^\circ$   
TWO PLACE DECIMAL  $\pm 0.010$   
THREE PLACE DECIMAL  $\pm 0.005$

INTERPRET GEOMETRIC TOLERANCING PER: ASME Y14.5 -2009

NAME	DATE
DRAWN	
CHECKED	

**PROPRIETARY AND CONFIDENTIAL**  
THE INFORMATION CONTAINED IN THIS DRAWING IS THE SOLE PROPERTY OF PEDESTALPRO LLC. ANY REPRODUCTION IN PART OR AS A WHOLE WITHOUT THE WRITTEN PERMISSION OF PEDESTALPRO LLC IS PROHIBITED.

TITLE:  
**ASSEMBLY**

Wednesday, October 31, 2018 10:52:18 AM

WEIGHT:

SIZE	PART NO.	REV
<b>A</b>	184TOW-MVI-002-304	<b>A</b>

NO SCALE SHEET 2 OF 9